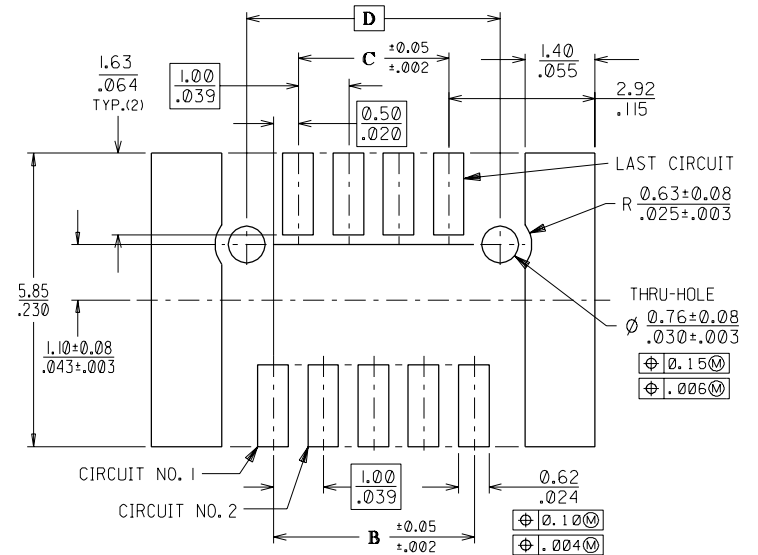
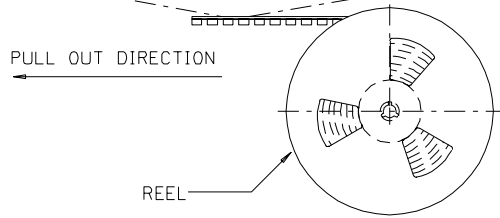
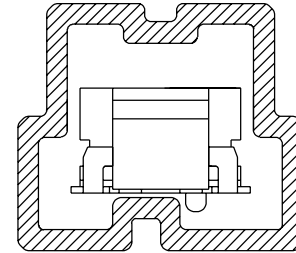
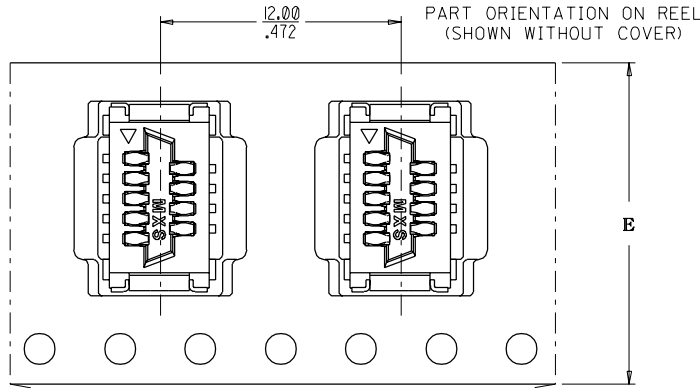


3	B
2	B
1	B

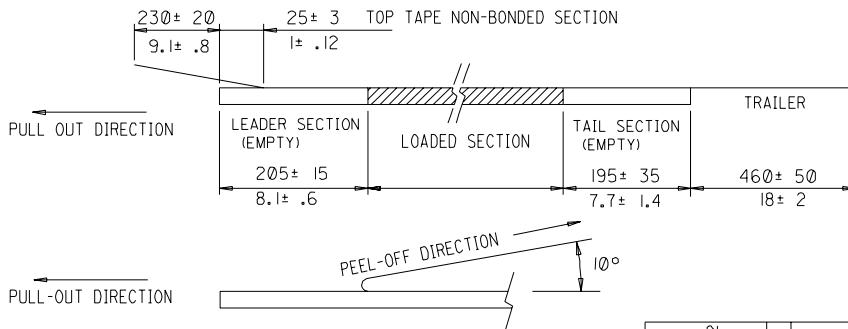
NOTES PLEASE SEE PAGE 3 OF 3

REVISE AS PER EC NO. S2000-0130 DRAWN: REGINA SHAN 010313 CHK: APPR:	DESCRIPTION	QUALITY SYMBOLS	GENERAL TOLERANCES: (UNLESS SPECIFIED)		SCALE	DESIGN UNITS	THIRD ANGLE PROJECTION	DIMENSIONS:		SHT	REV	
		MAJOR ▼ = 0	mm	INCH	NTS	<input checked="" type="checkbox"/> mm <input type="checkbox"/> INCH	<input checked="" type="checkbox"/> mm <input type="checkbox"/> INCH	mm ONLY	REVISION			
		CRITICAL ▽ = 0	4 PLACES ±0. ____ ±. ____		DRAWN BY & DATE REGINA SHAN 000512		TITLE: 1mm BOARD-TO-BOARD SMT RECEPTACLE CONNECTOR ASSEMBLY					
			3 PLACES ±0. ____ ±. 008		CHECKED BY & DATE LILY CHANG 000608		APPROVED BY & DATE S. K. TOH 000608					
		2 PLACES ±0. 20 ±. ____		APPROVED BY & DATE S. K. TOH 000608		MATERIAL NO. SEE TALBE						
		1 PLACE ±0. ____ ±. ____		CAD FILENAME		DRAWING NO. SD-87433-001		SHEET NO. 1 OF 3		SIZE A3		
ANGULAR: ± °											THIS DRAWING CONTAINS INFORMATION THAT IS PROPRIETARY TO MOLEX INCORPORATED AND SHOULD NOT BE USED WITHOUT WRITTEN PERMISSION.	

TAPE AND REEL WIDTHS AND HOLE DIMENSIONS CONFORM TO EIA-481 STANDARDS.



TOP TAPE LEADER



REVISE AS PER EC NO. S2000-0130 DRAWN: REGINA SHAN 010312 CHK: APPR:	DESCRIPTION	QUALITY SYMBOLS	GENERAL TOLERANCES: (UNLESS SPECIFIED)		SCALE NTS	DESIGN UNITS <input checked="" type="checkbox"/> mm <input type="checkbox"/> INCH	THIRD ANGLE PROJECTION	DIMENSIONS: <input checked="" type="checkbox"/> mm <input type="checkbox"/> INCH <input type="checkbox"/> mm ONLY	SHT	REV
		MAJOR ▼ = 0 CRITICAL ▽ = 0	4 PLACES $\pm 0. \text{---}$ $\pm. \text{---}$	3 PLACES $\pm 0. \text{---}$ $\pm. 008$	2 PLACES $\pm 0. 20$ $\pm. \text{---}$	1 PLACE $\pm 0. \text{---}$ $\pm. \text{---}$	DRAWN BY & DATE REGINA SHAN 000512	TITLE: 1mm BOARD-TO-BOARD SMT RECEPTACLE CONNECTOR ASSEMBLY		
B	REV		ANGULAR: \pm °		CHECKED BY & DATE LILY CHANG 000608	APPROVED BY & DATE S. K. TOH 000608	MOLEX INCORPORATED			
					CAD FILENAME NA	MATERIAL NO. SEE TABLE	DRAWING NO. SD-87433-001	SHEET NO. 2 OF 3	THIS DRAWING CONTAINS INFORMATION THAT IS PROPRIETARY TO MOLEX INCORPORATED AND SHOULD NOT BE USED WITHOUT WRITTEN PERMISSION.	
										SIZE A3

